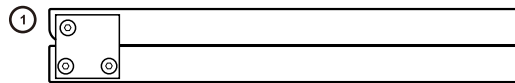


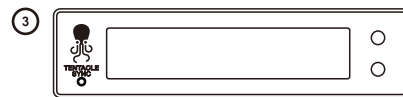
TENTACLE SYNC DIGITAL TIMECODE SLATE ASSEMBLY

Each set of Gripsticks comes with a spare Grub Screw and 1.5mm Hex Key

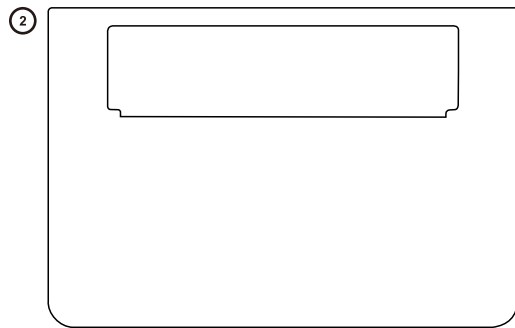
WHAT'S IN THE BOX



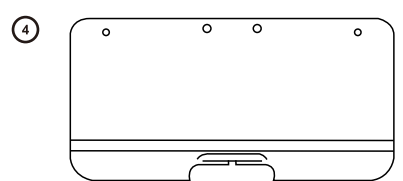
Gripsticks Timecode Clapper Sticks



Tentacle Sync Timebar



11" Medium Acrylic Board for Tentacle Sync Timebar



Timebar Holder



1.5mm Hex Key



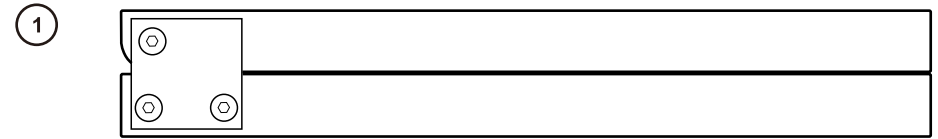
M4 Screws



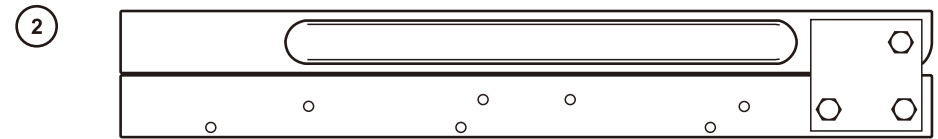
3mm Hex Key



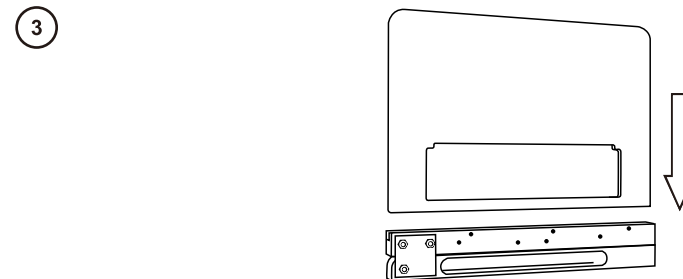
Spare Grub Screw



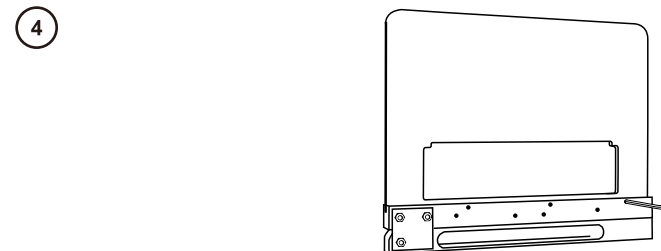
Front of Timecode Gripsticks Clapper Sticks



Take the Gripsticks Timecode Clapper Sticks and locate the Grub Screw Inserts towards you

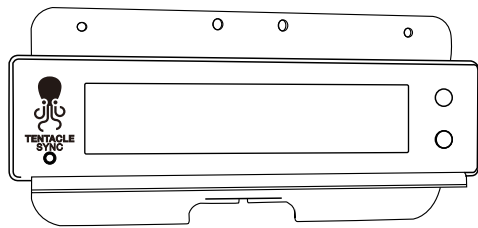


Insert the Slate into the sticks with the back of the slate facing you



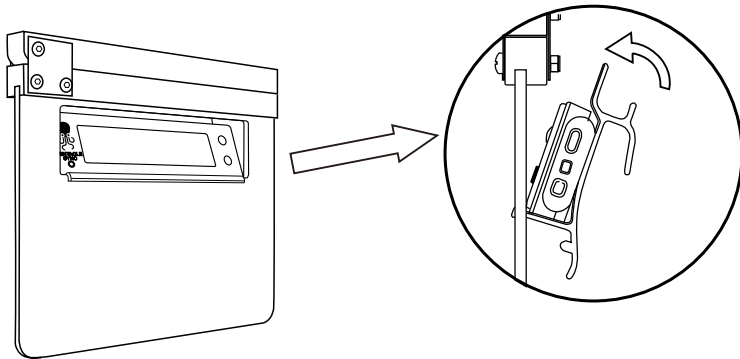
Tighten all the Grub Screws with a 1.5mm Hex Key, so that they are finger tight against the slate
Alternatively, you can still use tape to secure the slate into the sticks.

5



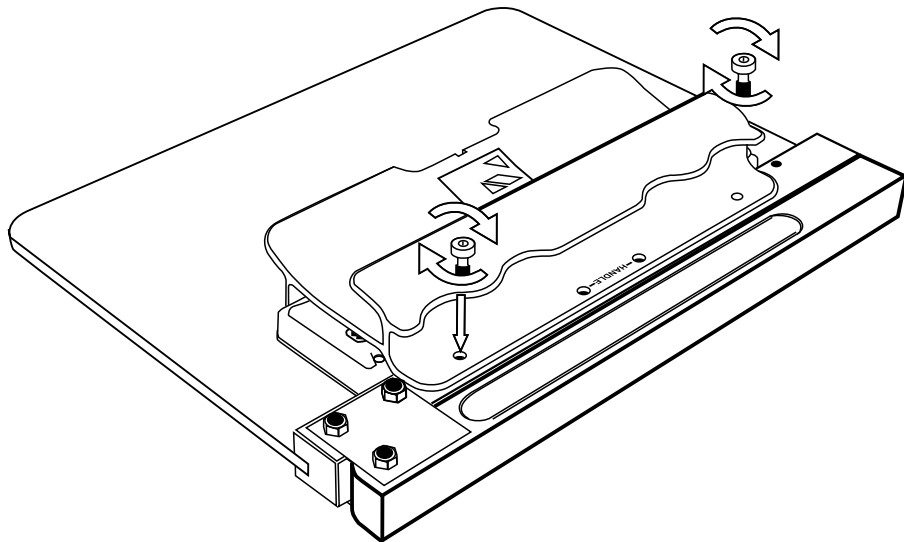
Take the Timebar and place it inside the Timebar Holder

6



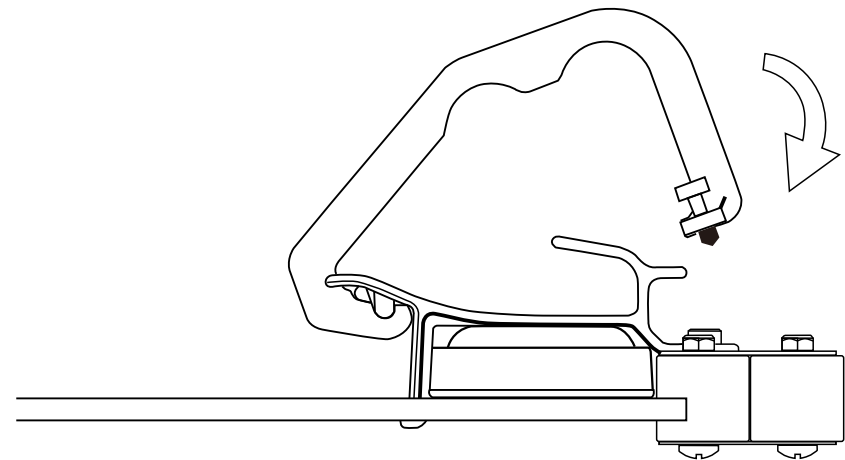
Line up the lip of the Timebar Holder, so that it fits over the Slate window. Then rotate the Holder until it is in the upright position against the sticks. Adjust the Timebar as necessary to ensure it fits into the window.

7



Tighten the M4 Screws into the Sticks securely using a 3mm Hex Key. The Timecode Slate is now ready for use.

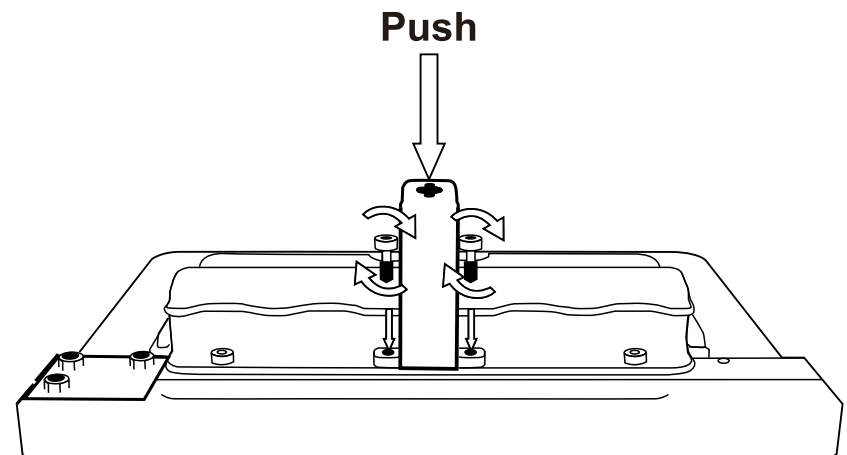
8



If you wish to fit the optional Handle:

1. Place the Timecode Slate face down on a flat surface.
2. Place the bottom of the handle into the Timebar Holder catch groove underneath the Timebar.
3. The handle should only go in one way, and the top of the handle sticks out.
4. Push the top of the handle firmly so that the screws can be tightened into the screw threads of the Timebar Holder.

9



Tighten the M4 Screws into the Sticks securely using a 3mm Hex Key. The handle is now ready for use.

For more information please visit filmsticks.co